

4

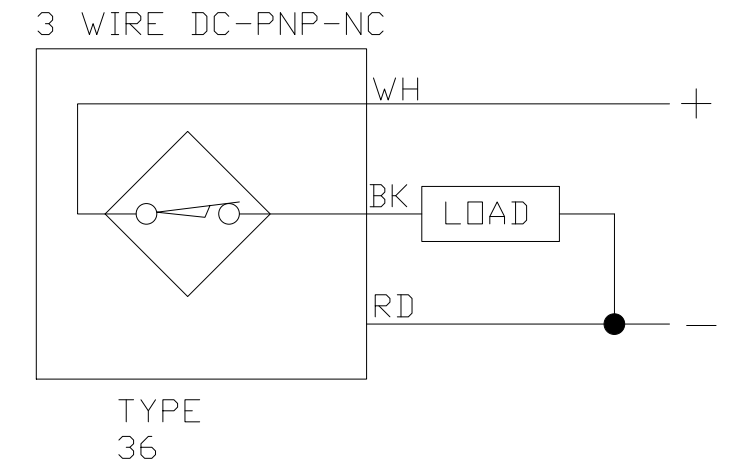
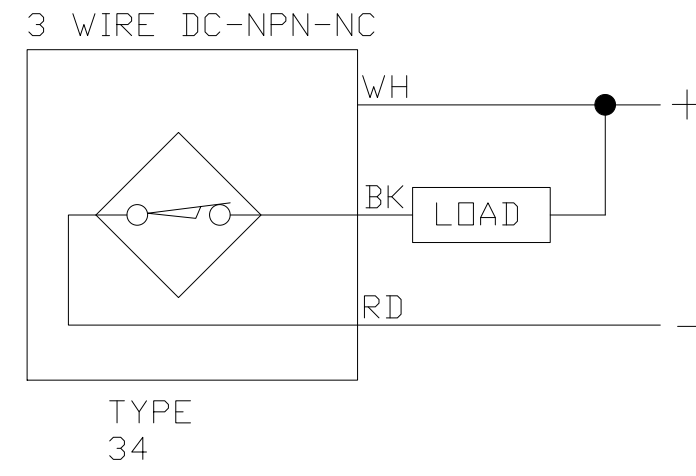
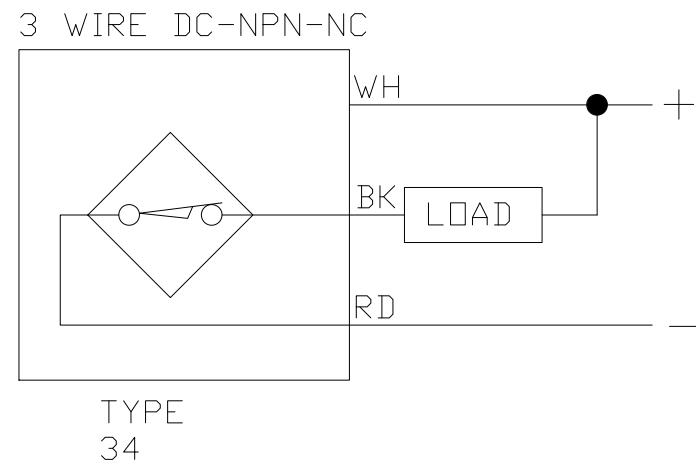
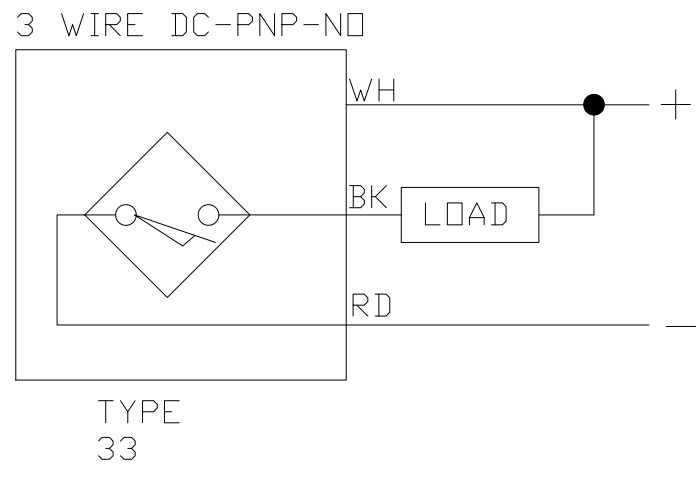
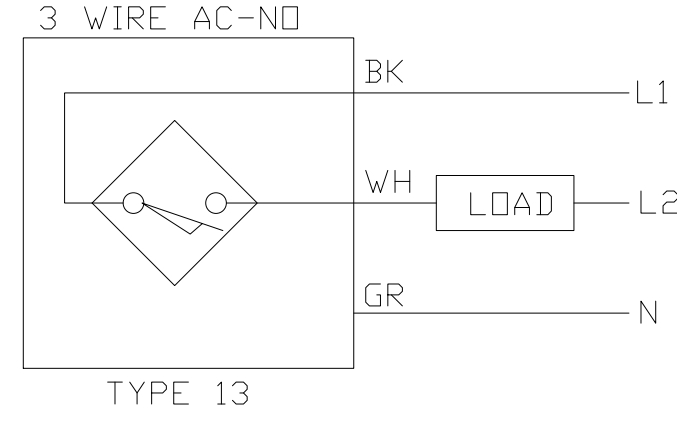
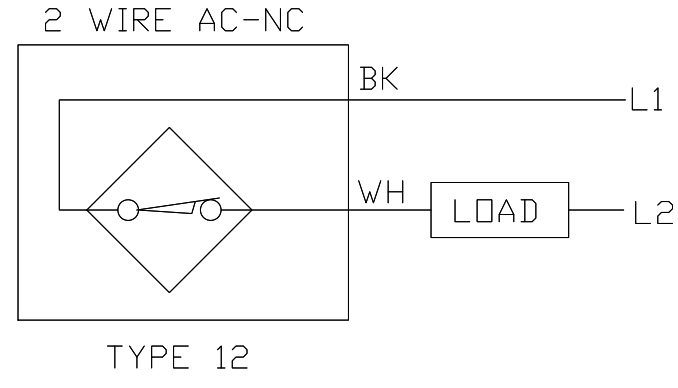
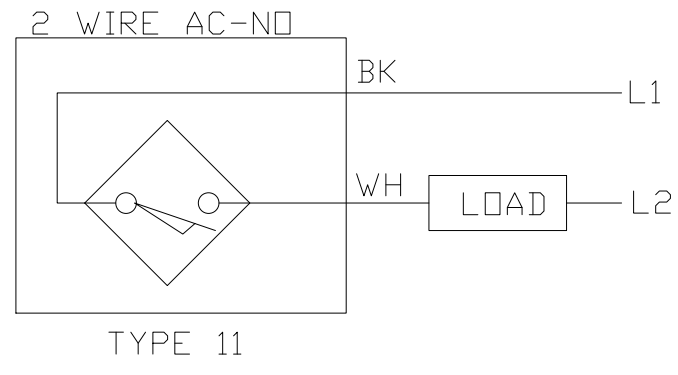
3

2

1

REVISIONS

ZONE	REV	DESCRIPTION	DATE	APPROVED



MODULOC CONTROL SYSTEMS LTD
 Quadrant House, 235 High Street
 London Colney, St. Albans, Hertfordshire AL2 1HD England

SIZE	FSCM NO.	DWG NO.	REV
------	----------	---------	-----

SCALE	SHEET
-------	-------